

DIGITAL PROJECTOR

MW851UST

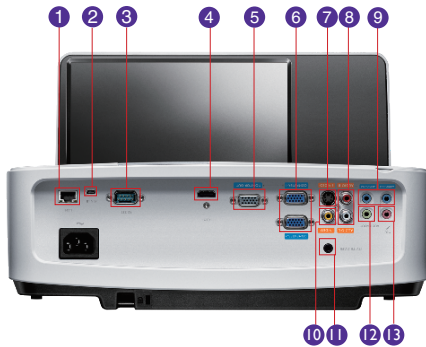


Features

- Native WXGA (1280x800) Resolution
- 2500 ANSI Lumens; 13000:1 Contrast Ratio
- 0.36 Ultra Short Throw Ratio
- LAN Control; Smart Eco Mode
- 10W x 2 Speaker; SRSWOW HD™; Mic Input



Input and Output Terminals



- | | |
|-----------------------------------|------------------------------|
| 1 LAN (RJ45) | 7 S-Video In (Mini DIN 4pin) |
| 2 USB Mini B | 8 Audio Out L & R (RCA) |
| 3 RS232 (DB-9pin) | 9 Audio In 1 & 2 (Mini Jack) |
| 4 HDMI (v1.3) | 10 Composite Video In (RCA) |
| 5 Monitor Out (D-sub 15pin) | 11 DC 12V Trigger (3.5mm) |
| 6 Computer In 1 & 2 (D-sub 15pin) | 12 Audio Out (Mini Jack) |
| | 13 Mic In (Mini Jack) |

Specifications

Projection System	DLP
Native Resolution	WXGA(1280x800)
Brightness	2500 ANSI Lumens
Contrast Ratio	13000:1
Display Color	1.07 Billion Colors
Lens	F=2.65
Aspect Ratio	Native 16:10 (5 aspect ratio selectable)
Throw Ratio	0.36 (95" @ 2.43 ft)
Image Size (Diagonal)	60"~300"
Zoom Ratio	Fixed
Lamp Type	UHP230W (with Smart Eco Mode)
Lamp Life (Normal/Eco Mode)	* 3500/5000hr
Keystone Adjustment	Manual, Vertical +/- 15 degrees
Projection Offset	144%+/-5%
Resolution Support	VGA(640 x 480) to UXGA(1600 x 1200)
Horizontal Frequency	31K~102KHz
Vertical Scan Rate	23~120Hz
Compatibility	HDTV Compatibility: 480i, 480p, 576i, 576p, 720p, 1080i, 1080p Video Compatibility: NTSC, PAL, SECAM
Interface	Computer in (D-sub 15pin) x 2 (shared with Component video) Monitor out (D-sub 15pin) x 1 Composite Video in (RCA) x 1 S-Video in (Mini DIN 4pin) x 1 Audio in (Mini Jack) x 2 Audio L/R in (RCA) x 2 Audio out (Mini Jack) x 1 Microphone in (Mini Jack) x 1 Speaker 10W x 2 LAN (RJ45) x 1 (LAN Control) HDMI V1.3 x 1 USB (Type Mini B) x 1 (USB Download & Page up/down) DC 12V Trigger (3.5mm Jack) x 1 RS232 (DB-9pin) x 1
Dimensions (WxHxD)	13.35 x 9.33 x 12.71 inches (339 x 236.9 x 322.8 mm)
Weight	11.70 lbs (5.3kg)
Power Supply	100 to 240 VAC, 50 to 60 Hz
Power Consumption	Typical 321W, Standby<0.5W
Audible Noise	33/27 dBA (Normal/Economic mode)
On-Screen Display Languages	English/ France/ Germany/ Italian/ Spanish/ Russian/ Traditional Chinese/ Simplified Chinese/ Japanese/ Korean/ Swedish/ Dutch/ Turkish/ Czech/ Portuguese/ Thai/ Polish/ Hungarian/ Croatian/ Romanian/ Norwegian/ Danish/ Bulgarian/ Finnish/ Indonesian/ Greek/ Hindi/ Arabic (28 Languages)
Picture Mode	Dynamic/Presentation/sRGB/Cinema/User 1/User 2
Accessories (Standard)	Remote Control w/ Battery, Power Cord, User Manual CD, Quick Start Guide, Warranty Card, VGA (D-sub 15 pin) Cable
Accessories (Optional)	Spare Lamp Kit P/N: 5J.J4V05.001 Wall Mount (T/R 0.4) P/N: 5J.J4V10.001 3D Glasses P/N: 5J.J0T14.011
Warranty	3 Years Parts/Labor; 1 Year or 2000 hours of lamp life

*Lamp life results will vary depending on environmental conditions and usage.

MW851UST 7/11/11-US



BenQ America Corp.

15375 Barranca Parkway, Suite A-205, Irvine, CA 92618 Tel: (949) 255-9500 www.BenQ.us

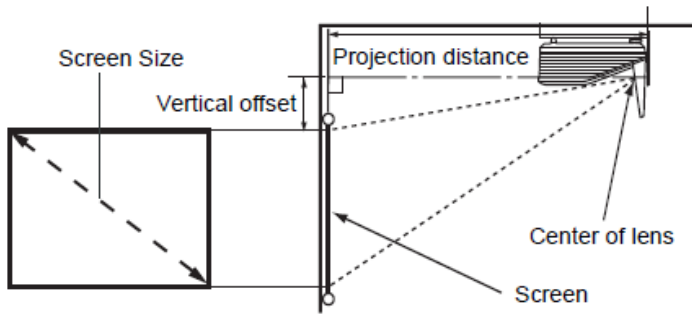
BenQ is a registered trademark of BenQ Corp. DLP is a registered trademark of Texas Instruments. All rights reserved. Corporate and trademarks are the property of their respective companies. Specifications subject to change without notice.



Enjoyment Matters

MW85 IUST Digital Projector

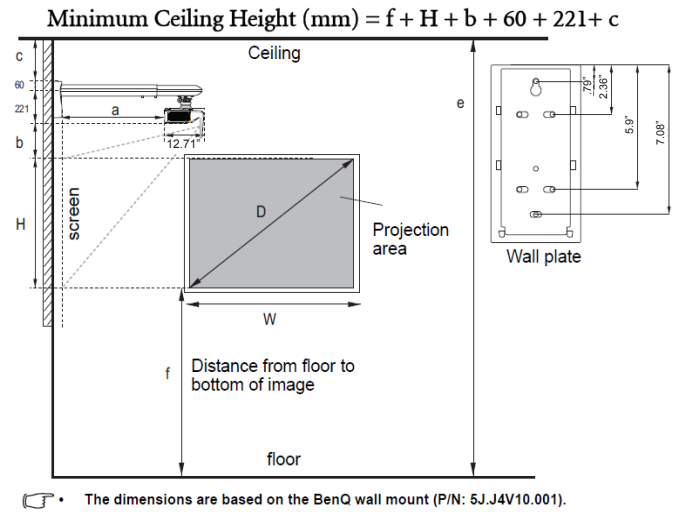
Distance Chart



Screen Size				Distance from Screen in mm	Vertical offset in mm
Diagonal	W	H			
Inches	mm	(mm)	(mm)		
60	1524	1292	808	427	177.7
70	1778	1508	942	505	207.3
80	2032	1723	1077	583	236.9
90	2286	1939	1212	661	266.5
100	2540	2154	1346	739	296.2
120	3048	2585	1615	896	355.4
150	3810	3231	2019	1130	444.2
200	5080	4308	2692	1521	592.3
220	5588	4739	2962	1677	651.6
240	6096	5169	3231	1833	710.8
260	6604	5600	3500	1989	770.0
280	7112	6031	3769	2146	829.3
300	7620	6462	4039	2302	888.5

Wall Mount Chart

Computer Resolution: WXGA Image Resolution: WXGA	Diagram Reference	SMART Board 685	Promethean ActivBoard 387	Hitachi FX- TRIO-88W	Hitachi FX- DUO-88W
Image Diagonal (inches)	D	87	87	88	88
Image Height (mm)	H	1171	1171	1181	1181
Image Width (mm)	W	1874	1874	1887	1887
Distance from floor to bottom of image (mm)	f	900	900	900	900
Distance from screen surface to projector lens (mm)	a	344	344	352	352
Distance from top case to the top of image(mm)	b	258	258	260	260
Distance from top of wall mount to ceiling (mm)	c	50	50	50	50
Minimum Ceiling Height (mm)	e	2660	2660	2672	2672



Dimensions

